



FICHA TÉCNICA

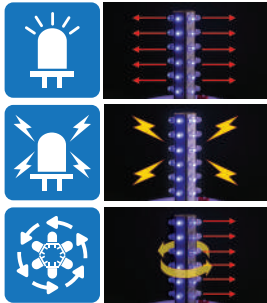


MFL80

Marca: **QLIGHT**

Qlight innovación en alarmas y señales para mejorar la eficiencia y la seguridad laboral.

Qlight



Operating steady/ flashing, strobe, simulated revolving flashing,

Multiple function LED signal lights

- **LED Steady/ Flashing**
Repeat operation of LED signal light on/off
- **LED Strobe**
Short LED Steady/ Flashing cycle. Creates a xenon flashing effect by providing maximum electric current
- **LED Simulated Revolving**
LEDs flash steadily around the cylindrical LED filaments which makes a simulated revolving effect



Manual switch to select operation

| ON=1 / OFF=0 | | | Operate 4 kinds of function by dip switches |
|--------------|--------------------------|--------------------------|---|
| | 1 | 2 | |
| ON | <input type="checkbox"/> | <input type="checkbox"/> | |
| OFF | <input type="checkbox"/> | <input type="checkbox"/> | |
| No. | 1 | 2 | Operation |
| 0 | 0 | 0 | LED Steady |
| 1 | 0 | 1 | LED flashing |
| 2 | 1 | 0 | LED Strobe |
| 3 | 1 | 1 | LED Simulated revolving flashing |



Common Specifications(MFL60/ MFL80/ MFL100/ MFL125)

- Product has multi functions of LED Steady/ Flashing, strobe, and simulated revolving
- Operating options with switches inside product or external connect
- Shock and vibration-resistant, maintenance reduced with long-lasting energy-efficient LED light bulb
- Built-in buzzer available(Volume : Max 80dB at 1m)
- Flashing type(LF) flashing rates : 60-80 flashes/min
- Strobe type(LS) flashing rates : 70-80 flashes/min
- Simulated revolving type(LR) flashing rates : 120-140 flashes/min
- Materials : Lens-PC, housing-ABS, Mounting bracket-PC
- Ambient operating temperature : -30°C to +50°C
- Protection rating : IP65
- Certificates : CE Compliant
- Compliant with RoHS directive



Signal & Electric Horn/ Speakers



Vessels and Heavy-Duty Equipment



Explosion Proof



Warning Light Bar



Aviation Obstruction Lights



Signal Tower Lights



USB/ETN Signal Tower Lights



Electric Horn/ Speakers



Industrial LED Lights





MFL60



MFL80





MFL60 Ø60mm Multiple Function LED Signal Light

| Model Number | Voltage | Current | Certificates | Weight | Color |
|--------------|-------------|------------|---|--------|---|
| MFL60 | DC12V-24V | Max 0.140A |   DC only | 0.21kg | <ul style="list-style-type: none"> ● R-Red ● A-Amber ● G-Green ● B-Blue |
| | AC110V-220V | Max 0.045A | | 0.32kg | |



MFL80

| Model Number | Voltage | Current | Certificates | Weight | Color |
|--------------|-------------|------------|---|--------|---|
| MFL80 | DC12V-24V | Max 0.190A |   DC only | 0.28kg | <ul style="list-style-type: none"> ● R-Red ● A-Amber ● G-Green ● B-Blue |
| | AC110V-220V | Max 0.052A | | 0.51kg | |

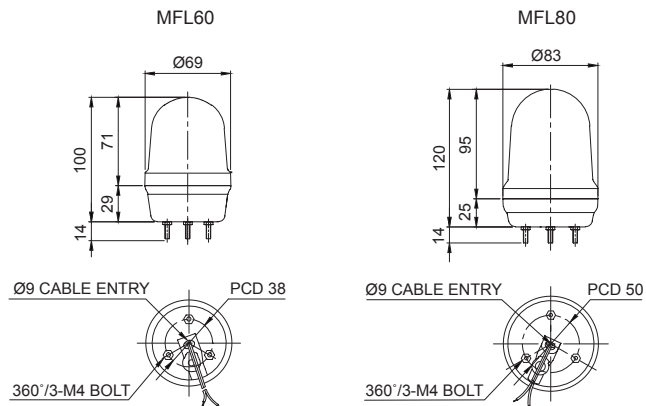
DC type model has a free-voltage range of 10V-30V.

AC type model has a free-voltage range of 100V-240V.



Technical Diagram

(Units : mm)





Multi-functional model with selectable steady/ flashing strobe, and simulated revolving flashing mode



MFL100



MFL125



MFL100 Ø100mm Multiple Light Function LED Signal Light

| Model Number | Voltage | Courrent | Certificates | Weight | Color |
|--------------|-------------|------------|--------------|--------|---|
| MFL100 | DC12V-24V | Max 0.255A | DC only | 0.30kg | ● R-Red ● A-Amber ● G-Green ● B-Blue |
| | AC110V-220V | Max 0.067A | | 0.52kg | |



MFL125 Ø125mm Multiple Light Function LED Signal Light

| Model Number | Voltage | Courrent | Certificates | Weight | Color |
|--------------|-------------|------------|--------------|--------|---|
| MFL125 | DC12V-24V | Max 0.255A | DC only | 0.52kg | ● R-Red ● A-Amber ● G-Green ● B-Blue |
| | AC110V-220V | Max 0.067A | | 0.92kg | |

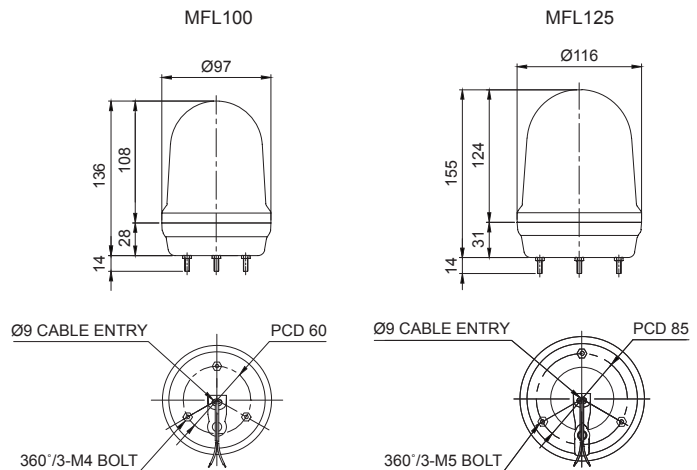
DC type model has a free-voltage range of 10V-30V.

AC type model has a free-voltage range of 100V-240V.



Technical Diagram

(Units : mm)



Wiring Instructions

- External power line standard : UL1015 AWG18(0.75sq)×2C 400mm
- Product can be wired regardless of polarity



Accessories

- Wall mounting bracket options : Bracket structure allows for threading through the bracket hole or into the wall mount

- MFL60



Wall Mount Bracket
TWS45



Wall Mount Bracket
TWA45

- MFL80



Wall Mount Bracket
TWS80



Wall Mount Bracket
TWA80

- MFL100/ MFL125



Wall Mount Bracket
SWP125



Wall Mount Bracket
SWM125

Ordering Specification

| | | | | | | |
|--|---|--|---|--|---|---|
| MFL100 | - | BZ | - | 110/220 | - | R |
| [Model number] | | [Buzzer option] | | [Voltage] | | [Color] |
| | | | | | | |
| <ul style="list-style-type: none"> • MFL60 • MFL80 • MFL100 • MFL125 | | <ul style="list-style-type: none"> • None - No buzzer • BZ - Built-in buzzer | | <ul style="list-style-type: none"> • 12/24 -DC12V-24V • 110/220 -AC110V-220V | | <ul style="list-style-type: none"> • R-Red • A-Amber • G-Green • B-Blue |