



FICHA TÉCNICA

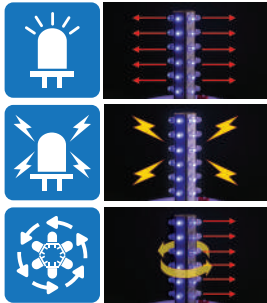


MFL60

Marca: **QLIGHT**

Qlight innovación en alarmas y señales para mejorar la eficiencia y la seguridad laboral.

Qlight




Operating steady/ flashing, strobe, simulated revolving flashing,

Multiple function LED signal lights

- **LED Steady/ Flashing**
Repeat operation of LED signal light on/off
- **LED Strobe**
Short LED Steady/ Flashing cycle. Creates a xenon flashing effect by providing maximum electric current
- **LED Simulated Revolving**
LEDs flash steadily around the cylindrical LED filaments which makes a simulated revolving effect



Manual switch to select operation

ON=1 / OFF=0			Operate 4 kinds of function by dip switches 
	1	2	
ON	<input type="checkbox"/>	<input type="checkbox"/>	
OFF	<input type="checkbox"/>	<input type="checkbox"/>	
No.	1	2	Operation
0	0	0	LED Steady
1	0	1	LED flashing
2	1	0	LED Strobe
3	1	1	LED Simulated revolving flashing



Common Specifications(MFL60/ MFL80/ MFL100/ MFL125)

- Product has multi functions of LED Steady/ Flashing, strobe, and simulated revolving
- Operating options with switches inside product or external connect
- Shock and vibration-resistant, maintenance reduced with long-lasting energy-efficient LED light bulb
- Built-in buzzer available(Volume : Max 80dB at 1m)
- Flashing type(LF) flashing rates : 60-80 flashes/min
- Strobe type(LS) flashing rates : 70-80 flashes/min
- Simulated revolving type(LR) flashing rates : 120-140 flashes/min
- Materials : Lens-PC, housing-ABS, Mounting bracket-PC
- Ambient operating temperature : -30°C to +50°C
- Protection rating : IP65
- Certificates : CE Compliant
- Compliant with RoHS directive



Signal & Electric Horn/ Speakers



Vessels and Heavy-Duty Equipment



Explosion Proof



Warning Light Bar



Aviation Obstruction Lights



Signal Tower Lights



USB/ETN Signal Tower Lights



Electric Horn/ Speakers



Industrial LED Lights



MFL60



MFL80



Multi-functional model with selectable steady/ flashing strobe, and simulated revolving flashing mode



MFL60 Ø60mm Multiple Function LED Signal Light

Model Number	Voltage	Courrent	Certificates	Weight	Color
MFL60	DC12V-24V	Max 0.140A		0.21kg	<ul style="list-style-type: none"> ● R-Red ● A-Amber ● G-Green ● B-Blue
	AC110V-220V	Max 0.045A		0.32kg	



MFL80

Model Number	Voltage	Courrent	Certificates	Weight	Color
MFL80	DC12V-24V	Max 0.190A		0.28kg	<ul style="list-style-type: none"> ● R-Red ● A-Amber ● G-Green ● B-Blue
	AC110V-220V	Max 0.052A		0.51kg	

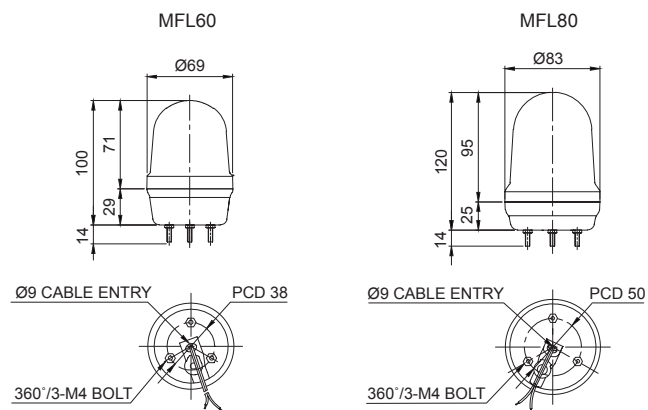
DC type model has a free-voltage range of 10V-30V.

AC type model has a free-voltage range of 100V-240V.



Technical Diagram

(Units : mm)



MFL100 Ø100mm Multiple Light Function LED Signal Light

Model Number	Voltage	Courrent	Certificates	Weight	Color
MFL100	DC12V-24V	Max 0.255A		0.30kg	<ul style="list-style-type: none"> ● R-Red ● A-Amber ● G-Green ● B-Blue
	AC110V-220V	Max 0.067A		0.52kg	



MFL100



MFL125



MFL125 Ø125mm Multiple Light Function LED Signal Light

Model Number	Voltage	Current	Certificates	Weight	Color
MFL125	DC12V-24V	Max 0.255A	 DC only	0.52kg	● R-Red ● A-Amber ● G-Green ● B-Blue
	AC110V-220V	Max 0.067A		0.92kg	

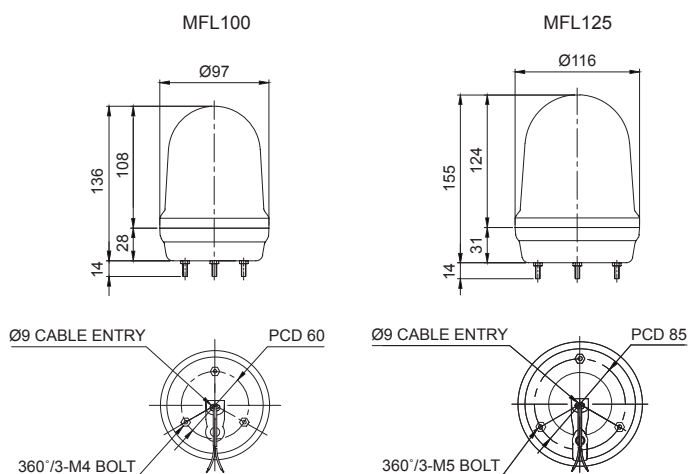
DC type model has a free-voltage range of 10V-30V.

AC type model has a free-voltage range of 100V-240V.



Technical Diagram

(Units : mm)



Wiring Instructions

- External power line standard : UL1015 AWG18(0.75sq)×2C 400mm
- Product can be wired regardless of polarity



Accessories

- Wall mounting bracket options : Bracket structure allows for threading through the bracket hole or into the wall mount

- MFL60



Wall Mount Bracket
TWS45



Wall Mount Bracket
TWA45

- MFL80



Wall Mount Bracket
TWS80



Wall Mount Bracket
TWA80

- MFL100/ MFL125



Wall Mount Bracket
SWP125



Wall Mount Bracket
SWM125



Ordering Specification

MFL100	-	BZ	-	110/220	-	R
[Model number]		[Buzzer option]		[Voltage]		[Color]
<ul style="list-style-type: none">• MFL60• MFL80• MFL100• MFL125		<ul style="list-style-type: none">• None- No buzzer• BZ- Built-in buzzer		<ul style="list-style-type: none">• 12/24-DC12V-24V• 110/220-AC110V-220V		<ul style="list-style-type: none">• R-Red• A-Amber• G-Green• B-Blue