



# FICHA TÉCNICA

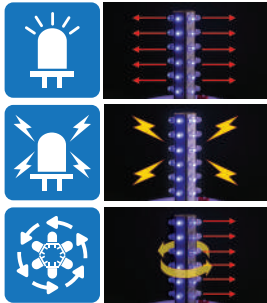


## MFL125

Marca: **QLIGHT**

Qlight innovación en alarmas y señales para mejorar la eficiencia y la seguridad laboral.

**Qlight**




## Operating steady/ flashing, strobe, simulated revolving flashing,

### Multiple function LED signal lights

- **LED Steady/ Flashing**  
Repeat operation of LED signal light on/off
- **LED Strobe**  
Short LED Steady/ Flashing cycle. Creates a xenon flashing effect by providing maximum electric current
- **LED Simulated Revolving**  
LEDs flash steadily around the cylindrical LED filaments which makes a simulated revolving effect



#### Manual switch to select operation

ON=1 / OFF=0			Operate 4 kinds of function by dip switches 
	1	2	
ON	<input type="checkbox"/>	<input type="checkbox"/>	
OFF	<input type="checkbox"/>	<input type="checkbox"/>	
No.	1	2	Operation
0	0	0	LED Steady
1	0	1	LED flashing
2	1	0	LED Strobe
3	1	1	LED Simulated revolving flashing



#### Common Specifications(MFL60/ MFL80/ MFL100/ MFL125)

- Product has multi functions of LED Steady/ Flashing, strobe, and simulated revolving
- Operating options with switches inside product or external connect
- Shock and vibration-resistant, maintenance reduced with long-lasting energy-efficient LED light bulb
- Built-in buzzer available(Volume : Max 80dB at 1m)
- Flashing type(LF) flashing rates : 60-80 flashes/min
- Strobe type(LS) flashing rates : 70-80 flashes/min
- Simulated revolving type(LR) flashing rates : 120-140 flashes/min
- Materials : Lens-PC, housing-ABS, Mounting bracket-PC
- Ambient operating temperature : -30°C to +50°C
- Protection rating : IP65
- Certificates : CE Compliant
- Compliant with RoHS directive



Signal & Electric Horn/ Speakers



Vessels and Heavy-Duty Equipment



Explosion Proof



Warning Light Bar



Aviation Obstruction Lights



Signal Tower Lights



USB/ETN Signal Tower Lights



Electric Horn/ Speakers



Industrial LED Lights





MFL60



MFL80





## MFL60 Ø60mm Multiple Function LED Signal Light

Model Number	Voltage	Current	Certificates	Weight	Color
MFL60	DC12V-24V	Max 0.140A	  DC only	0.21kg	<ul style="list-style-type: none"> <li><span style="color: red;">●</span> R-Red</li> <li><span style="color: yellow;">●</span> A-Amber</li> <li><span style="color: green;">●</span> G-Green</li> <li><span style="color: blue;">●</span> B-Blue</li> </ul>
	AC110V-220V	Max 0.045A		0.32kg	



## MFL80

Model Number	Voltage	Current	Certificates	Weight	Color
MFL80	DC12V-24V	Max 0.190A	  DC only	0.28kg	<ul style="list-style-type: none"> <li><span style="color: red;">●</span> R-Red</li> <li><span style="color: yellow;">●</span> A-Amber</li> <li><span style="color: green;">●</span> G-Green</li> <li><span style="color: blue;">●</span> B-Blue</li> </ul>
	AC110V-220V	Max 0.052A		0.51kg	

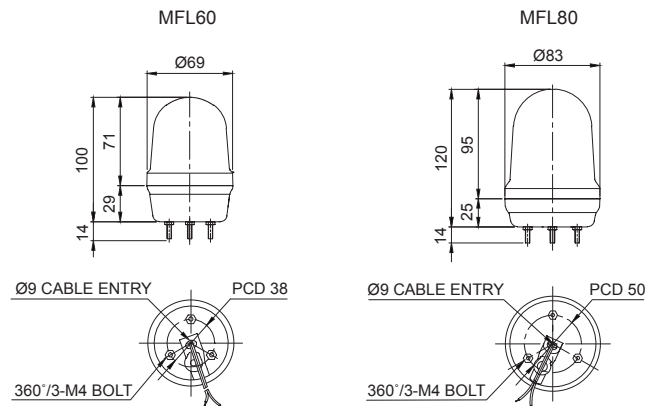
DC type model has a free-voltage range of 10V-30V.

AC type model has a free-voltage range of 100V-240V.



### Technical Diagram

(Units : mm)





**Multi-functional model with selectable steady/ flashing strobe, and simulated revolving flashing mode**



**MFL100**



**MFL125**



## MFL100 Ø100mm Multiple Light Function LED Signal Light

Model Number	Voltage	Courrent	Certificates	Weight	Color
MFL100	DC12V-24V	Max 0.255A	 DC only	0.30kg	● R-Red ● A-Amber ● G-Green ● B-Blue
	AC110V-220V	Max 0.067A		0.52kg	



## MFL125 Ø125mm Multiple Light Function LED Signal Light

Model Number	Voltage	Courrent	Certificates	Weight	Color
MFL125	DC12V-24V	Max 0.255A	 DC only	0.52kg	● R-Red ● A-Amber ● G-Green ● B-Blue
	AC110V-220V	Max 0.067A		0.92kg	

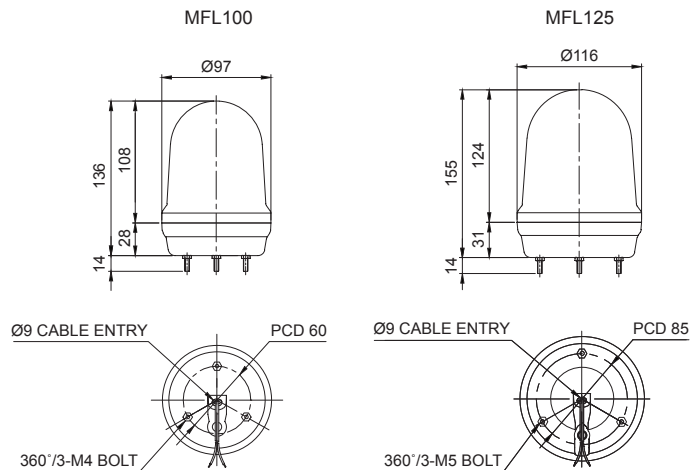
DC type model has a free-voltage range of 10V-30V.

AC type model has a free-voltage range of 100V-240V.



### Technical Diagram

(Units : mm)



### Wiring Instructions

- External power line standard : UL1015 AWG18(0.75sq)×2C 400mm
- Product can be wired regardless of polarity



## Accessories

- Wall mounting bracket options : Bracket structure allows for threading through the bracket hole or into the wall mount

- MFL60



Wall Mount Bracket  
**TWS45**



Wall Mount Bracket  
**TWA45**

- MFL80



Wall Mount Bracket  
**TWS80**



Wall Mount Bracket  
**TWA80**

- MFL100/ MFL125



Wall Mount Bracket  
**SWP125**



Wall Mount Bracket  
**SWM125**



## Ordering Specification

<b>MFL100</b>	-	<b>BZ</b>	-	<b>110/220</b>	-	<b>R</b>
[Model number]		[Buzzer option]		[Voltage]		[Color]
<ul style="list-style-type: none"> <li>• MFL60</li> <li>• MFL80</li> <li>• MFL100</li> <li>• MFL125</li> </ul>		<ul style="list-style-type: none"> <li>• None</li> <li>- No buzzer</li> <li>• BZ</li> <li>- Built-in buzzer</li> </ul>		<ul style="list-style-type: none"> <li>• 12/24</li> <li>-DC12V-24V</li> <li>• 110/220</li> <li>-AC110V-220V</li> </ul>		<ul style="list-style-type: none"> <li>• R-Red</li> <li>• A-Amber</li> <li>• G-Green</li> <li>• B-Blue</li> </ul>