



FICHA TÉCNICA



Q80LP

Marca: **QLIGHT**

Qlight innovación en alarmas y señales para mejorar la eficiencia y la seguridad laboral.

Qlight



Q80L

Q80L SERIES Ø80mm LED Steady/ Flashing Signal Lights

Common Specifications(Q80L/ Q80LW/ Q80LP)

- Small-sized signal light of 80mm with attractive appearance
- Shock and vibration-resistant, maintenance reduced with long-lasting energy-efficient LED light bulb
- Selectable mounts available depending on your application environment (direct mount, wall mount, pole mount)
- Materials : Lens-PC, housing-ABS, mounting bracket-PC
- Features high visibility with special diffusive lens and direct LED light distribution system
- Built-in buzzer available (Volume : Max 80dB at 1m)
- Built-in switches for steady and flashing light function mode
- Flashing rate : 60-80 flashes/min
- Ambient operating temperature : -30°C to +50°C
- Protection rating : IP65
- Certificates : CE Compliant, UL Listed
- Compliant with RoHS directive

Model Number	Voltage	Current	Certificates	Weight	Color
Q80L Q80LW Q80LP	DC12V-24V	Max 0.190A	CE DC Only	<ul style="list-style-type: none"> • Q80L-0.15kg • Q80LW-0.57kg • Q80LP-1.09kg (Weight Above Include QZ24) 	<ul style="list-style-type: none"> • R-Red • A-Amber • G-Green • B-Blue
	DC110V	Max 0.052A	UL DC Only		

DC type model has a free-voltage range of 10V-30V.
AC type model has a free-voltage range of 100V-240V.

Q80L Direct Mount LED Steady/ Flashing Signal Light

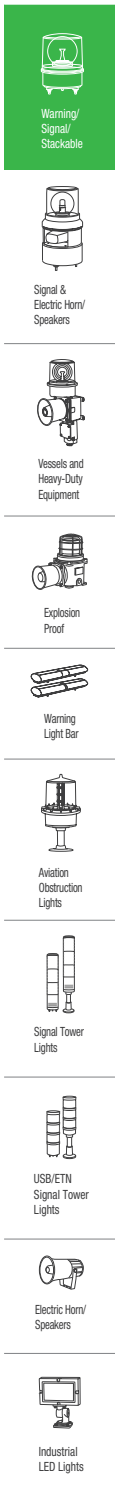
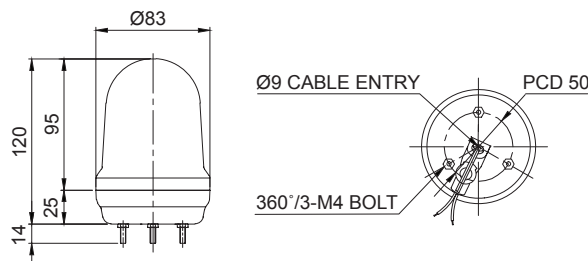
- Direct mount type with the three bolts/screws located on the bottom of the product

Technical Diagram (Units : mm)



Q80LW

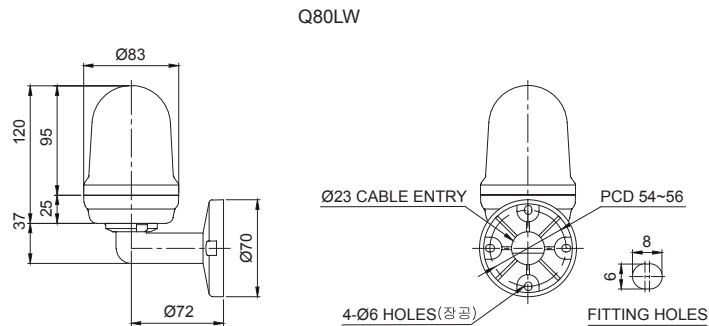
Wall mount type models allow for contained and tidy wiring with no exposed wires.



Q80LW Wall Mount LED Steady/ Flashing Signal Light

- Wall mount type with the bracket equipped

Technical Diagram (Units : mm)



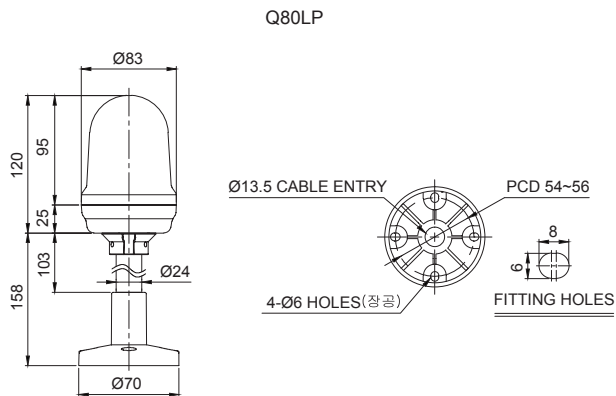
Wiring Instructions

- External power line standard : UL1015 AWG18(0.75sq)×2C 400mm
- Product can be wired regardless of polarity

Q80LP Pole Mount LED Steady/ Flashing Signal Light

- Pole mount type
- Various mounting options are available

Technical Diagram (Units : mm)



Q80LP

The picture for QZ24 equipped



Signal & Electric Horn/Speakers



Vessels and Heavy-Duty Equipment



Explosion Proof



Warning Light Bar



Aviation Obstruction Lights



Signal Tower Lights



USB/ETN Signal Tower Lights



Electric Horn/Speakers



Industrial LED Lights



LED Light diffusion shape of direct light distribution

High visibility with special diffusive lens and direct high brightness LED light distribution system.

Wiring Instructions

- External power line standard : UL1015 AWG18(0.75sq)×2C 400mm
- Product can be wired regardless of polarity

Mounting Bracket

Standard	QZ24	SZ24	SL24	QLA24
Steel	PC	Al	Al	PC



Customization

- Customized pole length available

Ordering Specification

Q80LP	-	BZ	-	12/24	-	R	-	QZ24
[Model number]		[Buzzer option]		[Voltage]		[Color]		[mount bracket]
<ul style="list-style-type: none"> • Q80L • Q80LW • Q80LP 		<ul style="list-style-type: none"> • None - No buzzer • BZ - Built-in buzzer 		<ul style="list-style-type: none"> • 12/24 -DC12V-24V • 110/220 -AC110V-220V 		<ul style="list-style-type: none"> • R-Red • A-Amber • G-Green • B-Blue 		<ul style="list-style-type: none"> • None - Standard • Bracket - QZ24 - SZ24 - SL24 - QLA24



Warning/Signal/Stackable



Signal & Electric Horn/Speakers



Vessels and Heavy-Duty Equipment



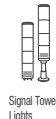
Explosion Proof



Warning Light Bar



Aviation Obstruction Lights



Signal Tower Lights



USB/ETN Signal Tower Lights



Electric Horn/Speakers



Industrial LED Lights