



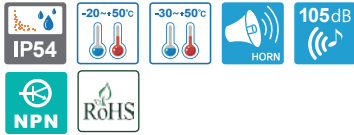
FICHA TÉCNICA

S125D

Marca: **QLIGHT**

Qlight innovación en alarmas y señales para mejorar la eficiencia y la seguridad laboral.

Qlight



Various built-in sound tones of Warning sounds, Alarms and Melodies



S125DLR



S125DL/ S125DS



Common Specifications(S125DLR/ S125DL/ S125DS/ S125D)

- Ø125mm signal/ warning light and electric horn combinations provides both audible and visual signaling capability in one unit
- Can select the proper signaling from a variety of light source and sound tone
- Materials : Lens-AS, Housing-ABS, Reflector-Heat resistant ABS
- Protection rating : IP54
- Compliant with RoHS directive (S125DLR/ S125DL)



S125DLR LED Revolving Light & Electric Horn

- Revolving speed : 120-140RPM
- Ambient operating temperature : -20°C to +50°C

Model Number	Voltage	Current	Sound Pattern and Volume	Certificates	Weight	Color
S125DLR	DC12V	0.483A	• WS-5 Warning sounds : 105dB	-	0.92kg	• R-Red
	DC24V	0.327A	• WM-5 Melodies : 105dB		0.92kg	• A-Amber
	DC110V	0.120A	• WA-5 Alarms : 103dB		1.29kg	• G-Green
	DC220V	0.060A	• WV-5 Customizable sounds : 95dB		1.29kg	• B-Blue



S125DL LED Steady/Flashing Light & Electric Horn

- Flashing rate : 60-80 flashes/min
(Built-in switch for selection between steady and flashing mode)
- Ambient operating temperature : -30°C to +50°C
- Certificates : CE Compliant

Model Number	Voltage	Current	Sound Pattern and Volume	Certificates	Weight	Color
S125DL	DC12V	0.517A	• WS-5 Warning sounds : 105dB	CE	0.76kg	• R-Red
	DC24V	0.435A	• WM-5 Melodies : 105dB		0.76kg	• A-Amber
	DC110V	0.123A	• WA-5 Alarms : 103dB	-	1.16kg	• G-Green
	DC220V	0.062A	• WV-5 Customizable sounds : 95dB		1.16kg	• B-Blue



S125DS Xenon Lamp Strobe Light & Electric Horn

- Flashing rate : 60-80 flashes/min
- Ambient operating temperature : -30°C to +50°C

Model Number	Voltage	Current	Sound Pattern and Volume	Certificates	Weight	Bulb	Color
S125DS	DC12V	1.331A	• WS-5 Warning sounds: 105dB	-	0.78kg	48	• R-Red
	DC24V	0.899A	• WM-5 Melodies : 105dB		0.78kg		• A-Amber
	DC110V	0.231A	• WA-5 Alarms : 103dB		1.23kg		• G-Green
	DC220V	0.155A	• WV-5 Customizable sounds: 95dB		1.23kg		• B-Blue



Signal & Electric Horn/Speakers



Vessels and Heavy-Duty Equipment



Explosion Proof



Warning Light Bar



Aviation Obstruction Lights



Signal Tower Lights



USB/ETN Signal Tower Lights



Electric Horn/Speakers



Industrial LED Lights



S125D

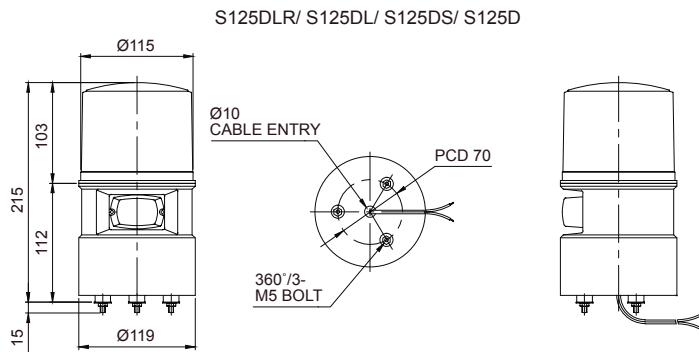


S125D Bulb Revolving Light & Electric Horn

- Revolving speed : 120-140RPM
- Ambient operating temperature : -20°C to +50°C
- Certificates : CE Compliant

Model Number	Voltage	Current	Bulb			Sound Pattern and Volume	Certificates	Weight	Color
			Spec	Standard	Parts No.				
S125D	DC12V	1.266A	12V10W	T16x35 15S	9	•WS-5 Warning sounds : 105dB	CE	1.00kg	<ul style="list-style-type: none"> • R-Red • A-Amber • G-Green • B-Blue
	DC24V	0.766A	24V10W	T16x35 15S	10	•WM-5 Melodies : 105dB		1.00kg	
	AC110V	0.187A	12V10W	T16x35 15S	9	•WA-5 Alarms : 103dB	1.41kg		
	AC220V	0.094A	12V10W	T16x35 15S	9	•WV-5 Customizable sounds : 95dB	1.41kg		

Technical Diagram (Units : mm)



Wiring Instructions

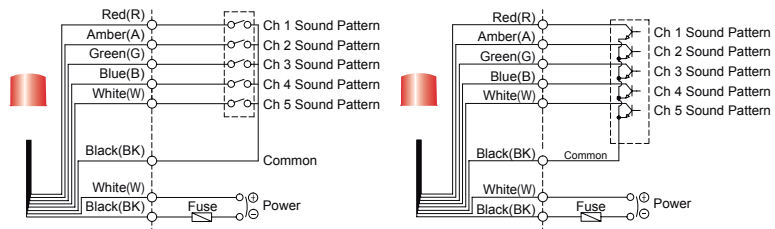
S125DLR/ S125DL/ S125DS/ S125D-DC/AC

S125DL-DC/AC

EXTERNAL CONTACT

NPN-Transistor

EXTERNAL TRANSISTOR-NPN



• S125D series comes with prerecorded sounds.

•For WV(5Customized Sounds)type, Input audio message needs to be provide by the customer prior to manufacturing.

•S125DL model wiring can be done with either external contact or external transistors.

•In case of wiring by using transistor, NPN transistor is needed and follow the wiring diagram on the right in order to wire properly.

- External power line standard : UL1015 AWG18(0.75sq)×2C 400mm
- External signal line standard : UL1007 AWG22(0.3sq) 400mm
- DC type : Black output line is Negative(-)





S125D is applied to a large press machine control panel.



Do not apply voltage to each signal line. It may cause damage to the product. By default the warning light is turned on when the power is supplied, the voice/ alarm output is powered on by a separate connection. Please wire properly.



Ordering Specification

S125D	WA	220	R
[Model number]	[Sound selection]	[Voltage]	[Color]
<ul style="list-style-type: none"> • S125DLR • S125DL • S125DS • S125D 	<ul style="list-style-type: none"> • WS-Warning • WM-Melody • WA-Alarm • WV-Customizable sound 	<ul style="list-style-type: none"> • 12-DC12V • 24-DC24V • 110-AC110V • 220-AC220V 	<ul style="list-style-type: none"> • R-Red • A-Amber • G-Green • B-Blue



Warning/Signal/Stackable



Signal & Electric Horn/Speakers



Vessels and Heavy-Duty Equipment



Explosion Proof



Warning Light Bar



Aviation Obstruction Lights



Signal Tower Lights



USB/ETN Signal Tower Lights



Electric Horn/Speakers



Industrial LED Lights