



FICHA TÉCNICA

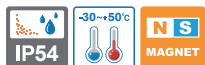


S125S

Marca: **QLIGHT**

Qlight innovación en alarmas y señales para mejorar la eficiencia y la seguridad laboral.

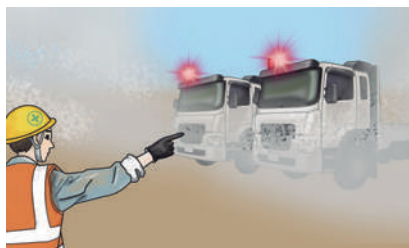
Qlight



S125S



S125SM



Excellent visibility in fog and dust environments.

S125 series

Ø125mm Xenon Strobe Signal Lights



Common Specifications(S125S/ S125SM)

- Ø125mm xenon strobe signal lights
- High efficiency strobe light that offers excellent outdoor visibility and long-distance signal light luminance close to natural light
- Lamp connector for convenient lamp replacement
- Flashing rate : 60-80 flashes/min
- Materials : Lens-AS, Housing-ABS
- Ambient operating temperature : -30°C to +50°C
- Protection rating : IP54



S125S Xenon Strobe Signal Light

- Certificates : CE Compliant

Model Number	Voltage	Current	Bulb			Certificates	Weight	Color
			Spec	Standard	Parts No.			
S125S	DC12V	1.001A	200V -550V	EUB0641 -1A(G) U type	48	-	0.37kg	<ul style="list-style-type: none"> ● R-Red ● A-Amber ● G-Green ● B-Blue
	DC24V	0.616A					0.37kg	
	AC110	0.133A					0.32kg	
	AC220	0.106A					0.32kg	



Wiring Instructions

- External power line standard : UL1015 AWG18(0.75sq)×2C 400mm
- Product can be wired regardless of polarity



S125SM Magnet Mount Xenon Strobe Signal Light

Model Number	Voltage	Current	Bulb			Certificates	Weight	Color
			Spec	Standard	Parts No.			
S125SM	DC12V	1.001A	220V	EUB0641 -1A(G) U type	48	-	0.40kg	<ul style="list-style-type: none"> ● R-Red ● A-Amber ● G-Green ● B-Blue
	DC24V	0.616A	-350V				0.40kg	



Wiring Instructions

- Cigarette lighter plug, IEC42(0.75sq)×2P 2m



Customization

- AC type(S125SM)
- Wall mount bracket options (S125S) : Bracket structure allows for threading through the bracket hole or into the wall mount



Wall Mount Bracket
SWP125

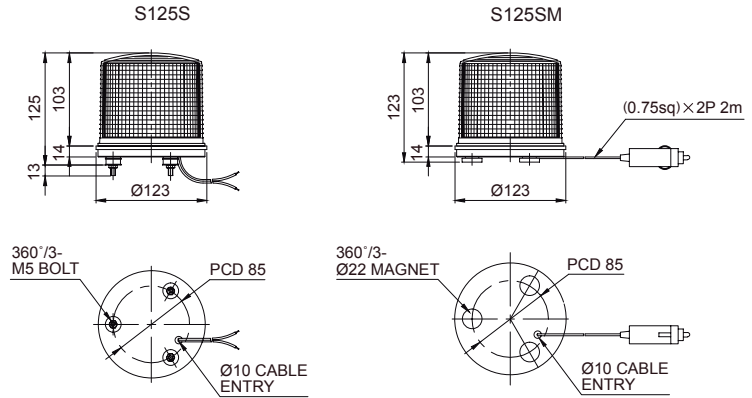


Wall Mount Bracket
SWM125



Technical Diagram

(Units : mm)



Ordering Specification

S125S	-	220	-	R
[Model number]		[Voltage]		[Color]
<ul style="list-style-type: none"> • S125S • S125SM 		<ul style="list-style-type: none"> • 12-DC12V • 24-DC24V • 110-AC110V • 220-AC220V 		<ul style="list-style-type: none"> • R-Red • A-Amber • G-Green • B-Blue