



# FICHA TÉCNICA

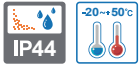


## S60L

Marca: **QLIGHT**

Qlight innovación en alarmas y señales para mejorar la eficiencia y la seguridad laboral.

**Qlight**



S60R



S60LR

## S60 series

### Ø60mm Warning/ Signal Lights

#### Common Specifications(S60R/ S60LR/ S60L)

- Ø60mm compact warning/ signal lights
- Materials : Lens-AS, Housing-ABS, Reflector-Heat resistant ABS
- Ambient operating temperature : -20°C to +50°C
- Protection rating : IP44

#### S60R Bulb Revolving Warning Light

- Revolving speed : 120-140RPM
- Certificates : CE Compliant

Model number	Voltage	Current	Bulb			Certificates	Weight	Color
			Spec	Standard	Parts no			
S60R	DC12V	0.484A	12V5W	T16x35 15S	5	CE	0.18kg	<ul style="list-style-type: none"> <li>• R-Red</li> <li>• A-Amber</li> <li>• G-Green</li> <li>• B-Blue</li> </ul>
	DC24V	0.310A	24V5W	T16x35 15S	6		0.18kg	
	AC110V	0.072A	110V5W	T16x35 15D	7	-	0.27kg	
	AC220V	0.036A	220V5W	T16x35 15D	8		0.27kg	

#### S60LR LED Revolving Warning Light

- Revolving speed : 120-140RPM

Model number	Voltage	Current	Certificates	Weight	Color
S60LR	DC12V	0.183A	-	0.21kg	<ul style="list-style-type: none"> <li>• R-Red</li> <li>• A-Amber</li> <li>• G-Green</li> <li>• B-Blue</li> </ul>
	DC24V	0.127A		0.21kg	
	AC110V	0.040A		0.28kg	
	AC220V	0.020A		0.28kg	

#### S60L LED Steady/ Flashing Signal Light

- Flashing rate : 60-80 flashes/min

Model number	Voltage	Current	Certificates	Weight	Color
S60L	DC12V	0.118A	-	0.15kg	<ul style="list-style-type: none"> <li>• R-Red</li> <li>• A-Amber</li> <li>• G-Green</li> <li>• B-Blue</li> </ul>
	DC24V	0.083A		0.15kg	
	AC110V	0.026A		0.20kg	
	AC220V	0.013A		0.20kg	



Signal & Electric Horn/ Speakers



Vessels and Heavy-Duty Equipment



Explosion Proof



Warning Light Bar



Aviation Obstruction Lights



Signal Tower Lights



USB/ETN Signal Tower Lights



Electric Horn/ Speakers

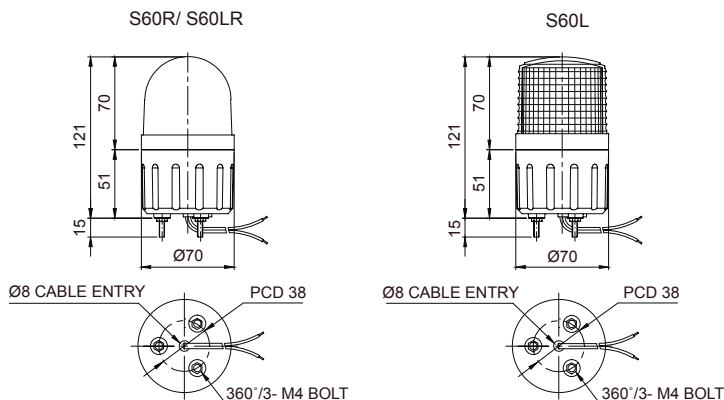


Industrial LED Lights



S60L

**Technical Diagram** (Units : mm)



**Customization**

• Wall mount bracket options:  
Bracket structure allows for threading through the bracket hole or into the wall mount



Wall Mount Bracket TWS45



Wall Mount Bracket TWA45

**Wiring Instructions**

- External power line standard : UL1015 AWG18(0.75sq)×2C 400mm
- DC type for S60R/S60LR : Black output line is negative(-)
- S60L can be wired regardless of polarity

**Ordering Specification**

<b>S60R</b>	-	<b>24</b>	-	<b>R</b>
[Model number]		[Voltage]		[Color]
<ul style="list-style-type: none"> <li>• S60R</li> <li>• S60LR</li> <li>• S60L</li> </ul>		<ul style="list-style-type: none"> <li>• 12-DC12V</li> <li>• 24-DC24V</li> <li>• 110-AC110V</li> </ul>		<ul style="list-style-type: none"> <li>• R-Red</li> <li>• A-Amber</li> <li>• G-Green</li> </ul>



Warning/Signal/Stackable



Signal & Electric Horn/Speakers



Vessels and Heavy-Duty Equipment



Explosion Proof



Warning Light Bar



Aviation Obstruction Lights



Signal Tower Lights



USB/ETN Signal Tower Lights



Electric Horn/Speakers



Industrial LED Lights