



FICHA TÉCNICA



QAD125BZ

Marca: **QLIGHT**

Qlight innovación en alarmas y señales para mejorar la eficiencia y la seguridad laboral.

Qlight

- 6 Bit input, 5 sound tones for each group
- Binary input 30 sound tones output
- SD Card(MP3) support

QAD Series

- Signal / Led Warning Lights with High Volume Built- in Buzzer
- Wall Mount Dome Type Signal Light with Electrical Horn
- Siren Buzzer 105dB, Electric Horn 100-115dB



• Sound Tone Selection & Volume Control

QAD series are the combination of dome type signal lights and electric horn that allow sound tone selection and volume control through a built-in control panel.

QAD series (external sound product) can the support MP3 format through SD Card. (QAD100H/ QAD125H)

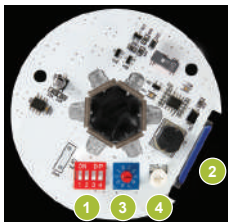


Common Specifications(QAD80/ QAD100/ QAD125)

- Combination of warning light and horn allow for both visual and audible signal transmission at once
- Flashing rate: 60-80 flashes/min (Built -in- Steady-Flash selection switch)
- Appropriate sound tones can be chosen depending on the various working environment among various available sound tones
- Sound tone selector and volume controller in front of the device allows for convenient use
- SD Card type allows user defined sound tone
- Built-in 30 sound tones, Support Binary and Bit input modes
- Bit input mode consists of 5 sound types with 6 groups. Choose one of the groups to play 5 sounds.(MP3 does not support group)
- MP3 support(QAD100H/ QAD125H)
- Materials : Lens - PC, Housing - ABS
- Ambient operating temperature : -30°C to +50°C
- Protection rating : IP65
- Compliant with RoHS directive

Multi-functional Product

• How to Setup



- 1 Sound setup switch
- 2 SD Card for MP3 play
- 3 Play mode set up switch
- 4 Volume

30 Built-in sounds

Multi-functional product has built-in 30 sound tones



Warning/
Signal/
Stackable



Signal &
Electric Horn/
Speakers



Vessels and
Heavy-Duty
Equipment



Explosion
Proof



Warning
Light Bar



Aviation
Obstruction
Lights



Signal Tower
Lights



USB/ETN
Signal Tower
Lights



Wireless
Network
System



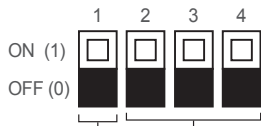
Electric Horn/
Speakers



Industrial
LED Lights

• Sound Setup Switch

Built-in sound and user-defined sound is toggled by using the sound setup switch '1'.



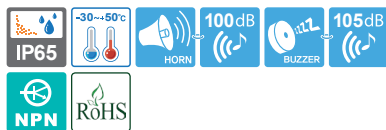
Group Choice in Bit Input Mode

- 001 : WS (5 Warning sounds)
- 010 : WP (5 special warning sounds 1st group)
- 011 : WM (5 Melodies)
- 100 : WA (5 Alarms)
- 101 : WO (5 special warning sounds 2nd group)
- 110 : WN (5 special warning sounds 3rd group)

Sound Selection

- 0 : Built-in sound
- 1 : SD Card(MP3)

- Built-in sounds(5WS, 5WP, 5WM, 5WA, 5WO and 5WN)
- Support SD Card(MP3)
- Binary Input : 30Ch
- Bit input : 5Ch(6 groups)
- Support MP3 format through SD Card
- Detailed instructions for multi-functional products are shown on page 28



- 6 Bit input, 5 sound tones for each group

- Binary input 30 sound tones output

Sound	Category	Ch	Sound Tone	Sound	Category	Ch	Sound Tone
WS	5 Warning Sounds	Ch1	Fire.A-ANG	WA	5 Alarms	Ch1	Beep Intermittent
		Ch2	Emergency WA-U(Yelp)			Ch2	Door Chime
		Ch3	Ambulance PI-PO(Hi-low)			Ch3	Phone Ring
		Ch4	Machinery Fault			Ch4	PI.PI.PI Short
		Ch5	High Expansion			Ch5	Tripping Beat
WP	5 Special warning sounds (1 st group)	Ch1	Fire.A-ANG	WO	5 Special warning sounds (2 nd group)	Ch1	Rel rel rel
		Ch2	Abandon Alarm			Ch2	Slow Ambulance PI-PO
		Ch3	Machinery Fault			Ch3	Wye yong Wye yong
		Ch4	High Expansion			Ch4	Phone ring 2
		Ch5	7 Short PI. / 1 Long			Ch5	Fire.A-ANG
WM	5 Melodies	Ch1	Sweet Home	WN	5 Special warning sounds (3 rd group)	Ch1	Oit Oit
		Ch2	For Elise			Ch2	Pi o Pi o
		Ch3	Cuckoo's Waltz			Ch3	Slow Di o Di o
		Ch4	Piano Sonata			Ch4	Li long Li ling
		Ch5	Turkish March			Ch5	911 Siren

User-defined sound (MP3)

User-defined sound(MP3) type

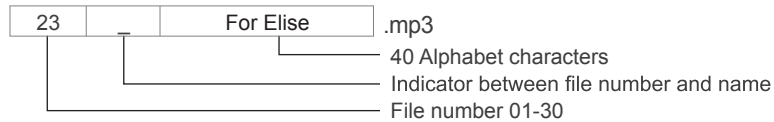


Customer can create a playlist and grouping conveniently through PC.

Product supports up to 32Gbyte. SD Card is an optional item.

*SD Card needs to be purchased.

MP3 file naming



QAD Series

Signal/ LED Warning Lights with High Volume Built-in Buzzer

QAD80H Wall Mount Type LED Steady/ Flash & Electric Horn

- Built-in sound

Model Number	Voltage	Current	Sound Pattern and volume	Certificates	Weight	Color
QAD80H	DC12V-24V	Max 0.640A	<ul style="list-style-type: none"> • Bit Input : 5Ch • Binary Input: 30Ch • Warning sounds : Max 100dB 	-	0.70kg	<ul style="list-style-type: none"> • R-Red • A-Amber • G-Green • B-Blue

Operating range for DC model : DC10V-30V



Warning/Signal/Stackable



Signal & Electric Horn/Speakers



Vessels and Heavy-Duty Equipment



Explosion Proof



Warning Light Bar



Aviation Obstruction Lights



Signal Tower Lights



USB/ETN Signal Tower Lights



Wireless Network System



Electric Horn/Speakers



Industrial LED Lights

QAD80BZ Wall Mount Type LED Steady/ Flash & Strong Buzzer

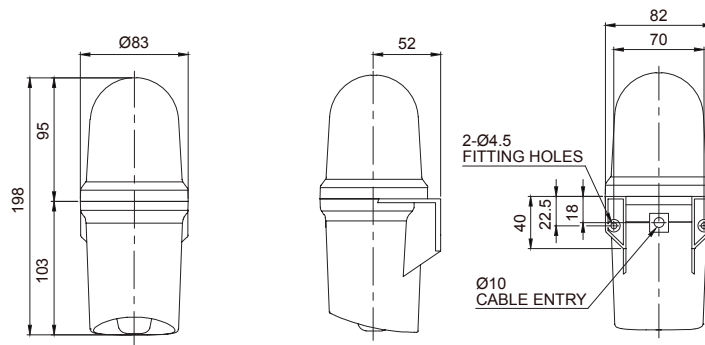
• Built-in strong buzzer

Model Number	Voltage	Current	Sound Pattern and volume	Certificates	Weight	Color
QAD80BZ	DC12V-24V	Max 0.640A	• Buzzer Volume: Max 105 dB	-	0.75kg	<ul style="list-style-type: none"> • R-Red • A-Amber • G-Green • B-Blue
	DC12V-24V	Max 0.640A			0.75kg	

Operating range for DC model : DC10V-30V

Technical Diagram (Units : mm)

QAD80H/ QAD80BZ



QAD80 series

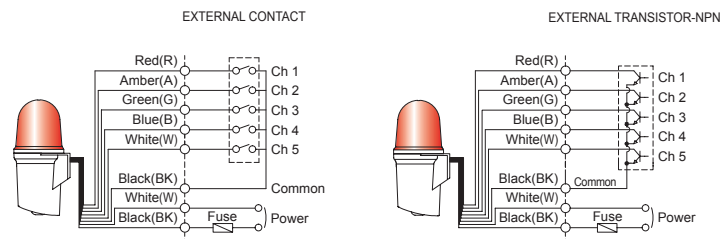
QAD80 does not support SD Card.



QAD series buzzer and electric sound is rich and clear because the RESONANCE CHAMBER amplifies the sound.

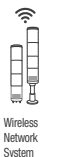
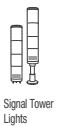
Wiring Instructions

QAD80H-DC



- External power line standard, UL1015 AWG18(0.75sq)×2C 400mm
- Signal line standard, UL1007 AWG22(0.3sq) 400mm
- Product can be wired regardless of polarity
- In case of 6 Bits input, 5 sound tones can be played. For Binary input, 30 sound tones can be played

Detailed instructions for multi-functional products are shown on page 28. (Wiring Instructions substitutes for channel selection switch)

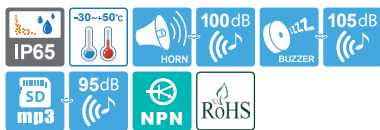


! Do not supply power into the signal line. Product may be damaged as a result

- Once powering on, signal light will work. However, the speaker will require additional wiring.

Ordering Specification

QAD80H [Model number]	-	12/24 [Voltage]	-	R [Color]
• QAD80H		• 12/24-DC12V-24V		• R-Red • A-Amber • G-Green • B-Blue
• QAD80BZ		• 12-DC12V • 24-DC24V		



- 6 Bit input, 5 sound tones for each group
- Binary input 30 sound tones output
- SD Card(MP3) support

QAD100H Wall Mount Type LED Steady/ Flash & Electric Horn

- Built-in sound/ MP3

Model Number	Voltage	Current	Sound Pattern and volume	Certificates	Weight	Color
QAD100H	DC12V-24V	Max 1.055A	• Bit Input : 5Ch • Binary Input : 30Ch • Warning : Max 100dB • MP3 : Max 95dB	-	0.92kg	• R-Red • A-Amber • G-Green • B-Blue
	AC110V-220V	Max 0.360A			0.92kg	

DC type model has a free-voltage range of 10V-30V.
AC type model has a free-voltage range of 100V-240V.

QAD100BZ Wall Mount Type LED Steady/ Flash & Strong Buzzer

- Built-in strong buzzer

Model Number	Voltage	Current	Sound Pattern and volume	Certificates	Weight	Color
QAD100BZ	DC12V-24V	Max 1.055A	• Buzzer Volume Max 105dB	-	0.98kg	• R-Red • A-Amber • G-Green • B-Blue
	DC12V-24V	Max 1.055A			1.01kg	
	AC110V-220V	Max 0.360A				

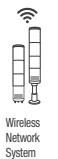
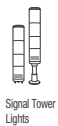
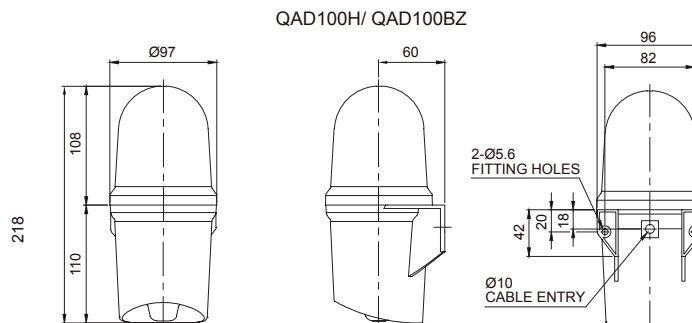
AC type model has a free-voltage range of 100V-240V.



QAD100 series

Technical Diagram

(Units : mm)



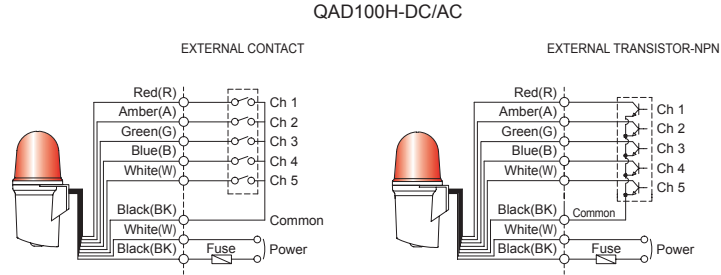


QAD series buzzer and electric sound is rich and clear because the REASONANCE CHAMBER amplifies the sound.

Do not supply power into the signal line. Product may be damaged as a result

- Once powering on, signal light will work. However, the speaker will require additional wiring.

Wiring Instructions

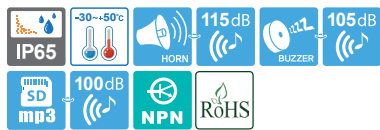


- External power line standard, UL1015 AWG18(0.75sq)×2C 400mm
- Signal line standard, UL1007 AWG22(0.3sq) 400mm
- Product can be wired regardless of polarity
- In case of 6 Bits input, 5 sound tones can be played. For Binary input, 30 sound tones can be played

Detailed instructions for multi-functional products are shown on page 28. (Wiring Instructions substitutes for channel selection switch)

Ordering Specification

QAD100H [Model number]	-	110/220 [Voltage]	-	R [Color]
<ul style="list-style-type: none"> • QAD100H • QAD125H 		<ul style="list-style-type: none"> • 12/24-DC12V-24V • 110/220-AC110V-220V 		<ul style="list-style-type: none"> • R-Red • A-Amber • G-Green • B-Blue



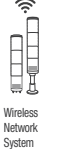
- 6 Bit input, 5 sound tones for each group
- Binary input 30 sound tones output
- SD Card(MP3) support

QAD125H Wall Mount Type LED Steady/ Flash & Electric Horn

- Built-in sound/MP3

Model Number	Voltage	Current	Sound Pattern and volume	Certificates	Weight	Color
QAD125H	DC12V-24V	Max 1.055A	<ul style="list-style-type: none"> • Bit Input : 5Ch • Binary Input : 30Ch • Warning : Max 115dB • MP3 : Max 100dB 	-	1.12kg	<ul style="list-style-type: none"> • R-Red • A-Amber • G-Green • B-Blue
	AC110V-220V	Max 0.360A			1.14kg	

DC type model has a free-voltage range of 10V-30V. AC type model has a free-voltage range of 100V-240V.





QAD125 series

QAD125BZ

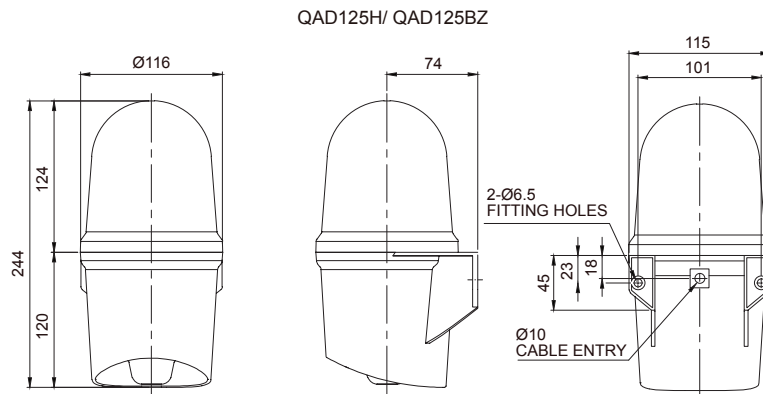
Wall Mount Type LED Steady/ Flash & Strong Buzzer

- Built-in strong buzzer

Model Number	Voltage	Current	Sound Pattern and volume	Certificates	Weight	Color
QAD125BZ	QAD125BZ	0.550A	• Buzzer Volume Max 105dB	-	1.22kg	• R-Red
	DC24V	0.300A				• A-Amber
	AC110V-220V	Max 0.100A			• G-Green	• B-Blue

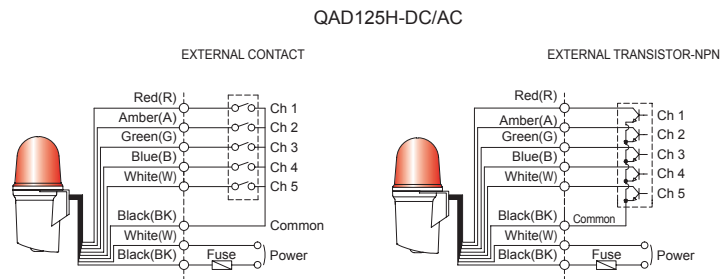
AC type model has a free-voltage range of 100V-240V.

Technical Diagram (Units : mm)

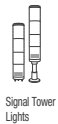


QAD series buzzer and electric sound is rich and clear because the REASONANCE CHAMBER amplifies the sound.

Wiring Instructions



- External power line standard, UL1015 AWG18(0.75sq)×2C 400mm
- Signal line standard, UL1007 AWG22(0.3sq) 400mm
- Product can be wired regardless of polarity
- In case of 6 Bits input, 5 sound tones can be played. For Binary input, 30 sound tones can be played



! Do not supply power into the signal line. Product may be damaged as a result

- Once powering on, signal light will work. However, the speaker will require additional wiring.



Ordering Specification

QAD125BZ	-	24	-	R
[Model number]		[Voltage]		[Color]
<ul style="list-style-type: none"> • QAD100BZ • QAD125BZ 		<ul style="list-style-type: none"> • 12-DC12V • 24-DC24V • 110/220-AC110V-220V 		<ul style="list-style-type: none"> • R-Red • A-Amber • G-Green • B-Blue



Warning/
Signal/
Stackable



Signal &
Electric Horn/
Speakers



Vessels and
Heavy-Duty
Equipment



Explosion
Proof



Warning
Light Bar



Aviation
Obstruction
Lights



Signal Tower
Lights



USB/ETN
Signal Tower
Lights



Wireless
Network
System



Electric Horn/
Speakers



Industrial
LED Lights