



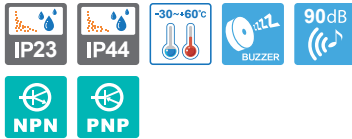
FICHA TÉCNICA

QT56MCL

Marca: **QLIGHT**

Qlight innovación en alarmas y señales para mejorar la eficiencia y la seguridad laboral.

Qlight



Signal light that can be configured with 7 colors in 1 tower light

QT56MCL LED Steady
QT56MCL-BZ Built-in Buzzer LED Steady



QT56MCL series

Built-in buzzer output holes formed on the housing of the product.



QT56MCL

LED Steady Tower Lights

QT56MCL Multiple Color LED Steady

- Helps reduce the costs of installation by reducing the space needed to emit seven color signals in a single warning light
- Elegant design with hexagon shaped metal housing
- Aluminum housing provides excellent durability
- Soft LED illuminates designated colors when on
- When off, milky translucent color lens provides a comfortable and stable viewing condition for workers in close proximity
- Folding type mount bracket can be utilized in various environments
- Built-in buzzer available (Volume : Max 90dB at 1m)
- Materials : Lens-PC, Housing-Al, Mounting bracket-Al
- Ambient operating temperature : -30°C to +60°C
- Protection rating : Standard type-IP44, Built-in Buzzer type-IP23

Model number	Voltage	Current	Certificates	Weight	Color
QT56MCL Steady	DC24V	Max 0.08A	-	0.45kg	7 Colors
QT56MCL-BZ Steady / built-in buzzer			CE	0.48kg	

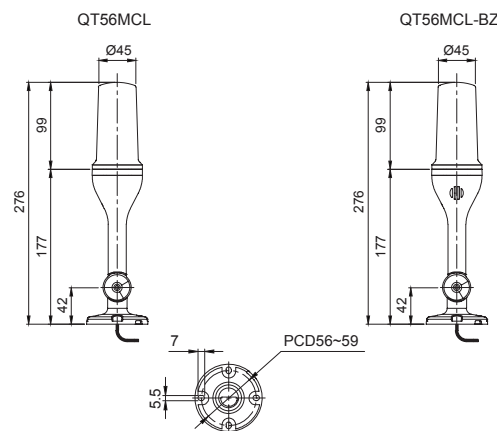
Signal/ Audible line current(Per each layer)

Voltage	DC24V
Signal line current	0.060A
Audible line current	0.020A



Technical Diagram

(Units : mm)



Warning/Signal/Stackable



Signal & Electric Horn/Speakers



Vessels and Heavy-Duty Equipment



Explosion Proof



Warning Light Bar



Aviation Obstruction Lights



Signal Tower Lights



USB/ETN Signal Tower Lights



Wireless Network System



Electric Horn/Speakers



Industrial LED Lights



Wiring Instructions

- External signal line standard : Signal line 4P(R,G,B,K) threading, signal line standard UL1007 AWG22(0.3sq) 400mm
- Product can be wired regardless of polarity
- Please refer to Wiring Instructions diagram to properly configure color options



Ordering Specification

QT56MCL [Model number]	-	24 [Voltage]
<ul style="list-style-type: none"> • QT56MCL • QT56MCL-BZ 		<ul style="list-style-type: none"> • 24-DC24V

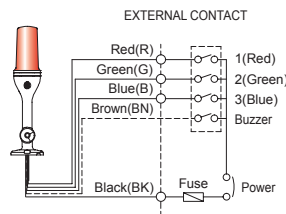


Wiring Instructions

- QT56MCL can be wired by using both external contact and transistor.
- In case of wiring by transistor, please make sure if it is NPN type or PNP type. Please carefully follow wiring instructions below.
- Product can be wired regardless of polarity.

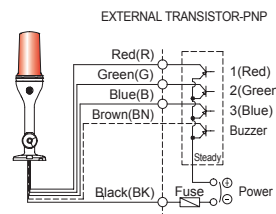
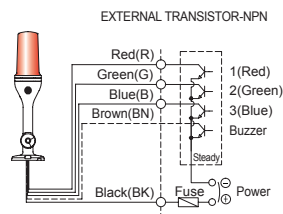


QT56MCL



< Wiring Configuration for Signal Color >

No.	Color	Wiring
1	Red	1(Red)
2	Green	2(Green)
3	Blue	3(Blue)
4	Amber	1(Red)+2(Green)
5	Cyan	2(Green)+3(Blue)
6	Purple	1(Red)+3(Blue)
7	White	1(Red)+2(Green)+3(Blue)



- External signal line standard : Signal line 4P(R,G,B,K) threading, signal line standard UL1007 AWG22(0.3sq) 400mm.



Warning/
Signal/
Stackable



Signal &
Electric Horn/
Speakers



Vessels and
Heavy-Duty
Equipment



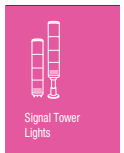
Explosion
Proof



Warning
Light Bar



Aviation
Obstruction
Lights



Signal Tower
Lights



USB/ETN
Signal Tower
Lights



Wireless
Network
System



Electric Horn/
Speakers



Industrial
LED Lights

Signal Color Options



• 7 Color modes available via wiring

You can configure seven color signals by combining the 4 signal wires (red, green, blue, black) attached to the tower light.



Warning/
Signal/
Stackable



Signal &
Electric Horn/
Speakers



Vessels and
Heavy-Duty
Equipment



Explosion
Proof



Warning
Light Bar



Aviation
Obstruction
Lights



Signal Tower
Lights



USB/ETN
Signal Tower
Lights



Wireless
Network
System



Electric Horn/
Speakers



Industrial
LED Lights