



FICHA TÉCNICA

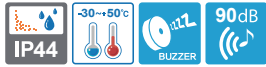


S150UL

Marca: **QLIGHT**

Qlight innovación en alarmas y señales para mejorar la eficiencia y la seguridad laboral.

Qlight



S150UL/ S150US



S150UL-FT/ S150US-FT



Common Specifications(S150UL/ S150US)

- Mounting bracket allows convenient installation in case of XXX-FT type
- Built-in buzzer available (Volume : Max 90dB at 1m)
- Flashing rate : 60-80 flashes/min
- Materials : Lens - PC, Housing - ABS, Reflector - Heat resistant ABS, Mounting bracket - STS
- Ambient operating temperature : -30°C to +50°C
- Protection rating : IP44



S150UL/ S150UL-FT LED Steady/ Flashing Signal Lights

- Built-in switch for selection between steady and flashing mode

Model Number	Voltage	Current	Certificates	Weight	Color
S150UL S150UL-FT	DC12V	0.300A	-	0.52kg	<ul style="list-style-type: none"> • R-Red • A-Amber • G-Green • B-Blue
	DC24V	0.200A		0.52kg	
	AC110V	0.060A		0.92kg	
	AC220V	0.030A		0.92kg	



S150US/ S150US-FT Xenon Lamp Strobe Signal Lights

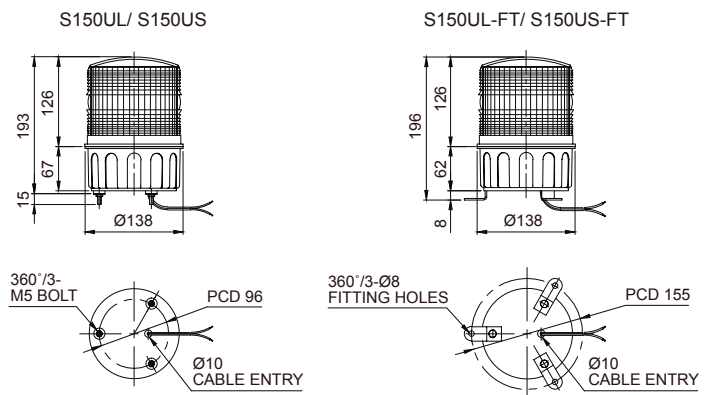
- Connector type lamp socket allows convenient lamp replacement

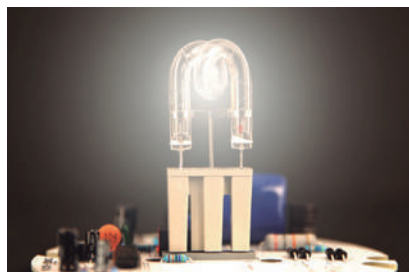
Model Number	Voltage	Current	Bulb			Certificates	Weight	Color
			Spec	Standard	Parts No.			
S150US S150US-FT	DC12V	1.001A	200V -550V	EUB0641 -1A(G) U type	48	-	0.56kg	<ul style="list-style-type: none"> • R-Red • A-Amber • G-Green • B-Blue
	DC24V	0.616A					0.56kg	
	AC110	0.133A					0.54kg	
	AC220	0.106A					0.54kg	



Technical Diagram

(Units : mm)





Hyper illuminance xenon lamp

- S150US/S150US-FT can be optionally equipped with a hyper illuminance xenon lamp bulb BH0647(G) upon the customers request.
(model number : S150UHS/S150UHS-FT)
- Dimension, mounting hole and other functions are identical with normal type.



Wiring Instructions

- External power line standard : UL1015 AWG18(0.75sq)×2C 400mm
- Product can be wired regardless of polarity



Customization

- 2 buzzer sound types : Both prolonged(beep, beep) and staccato(beep, beep, beep) buzzer output available
- Hyper illuminance xenon lamp type(model number : S150UHS/S150UHS-FT)



Ordering Specification

S150UL	-	BZ	-	220	-	R
[Model number]		[Buzzer option]		[Voltage]		[Color]
<ul style="list-style-type: none"> • S150UL • S150UL-FT • S150US • S150US-FT 		<ul style="list-style-type: none"> • None - No buzzer • BZ - Built-in buzzer 		<ul style="list-style-type: none"> • 12-DC12V • 24-DC24V • 110-AC110V • 220-AC220V 		<ul style="list-style-type: none"> • R-Red • A-Amber • G-Green • B-Blue