



FICHA TÉCNICA

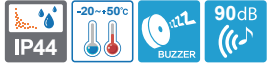


S180U

Marca: **QLIGHT**

Qlight innovación en alarmas y señales para mejorar la eficiencia y la seguridad laboral.

Qlight



S180U



S180U has a spare bulb inside the product for easy replacement if required.

series S180

Ø180mm Bulb Revolving Warning Lights

S180U Bulb Revolving Warning Light

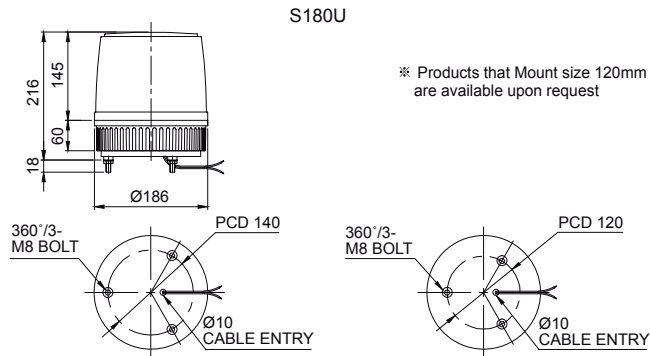
- Excellent long distance signal transmission effect with 35W capacity bulb and dual reflectors.
- A spare bulb is provided inside the product for quick replacement if provided
- Built-in buzzer available (Volume : Max 90dB at 1m)
- Materials : Lens-AS, Housing-ABS, Reflector-PC
- Ambient operating temperature : -20°C to +50°C
- Protection rating : IP44

Specifications

Model number	Voltage	Current	Bulb			Certificates	Weight	Color
			Spec	Standard	Parts no			
S180U	DC12V	3.077A	12V35W	RP35 15S	29	-	0.89kg	● R-Red ● A-Amber ● G-Green ● B-Blue
	DC24V	1.544A	24V35W	RP35 15S	30		0.89kg	
	AC110V	0.388A	12V35W	RP35 15S	29		1.65kg	
	AC220V	0.194A	12V35W	RP35 15S	29		1.65kg	

Technical Diagram

(Units) : mm

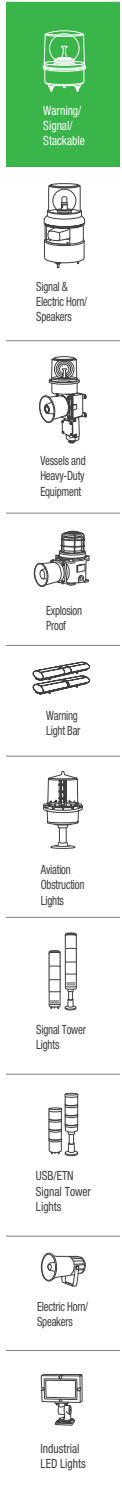


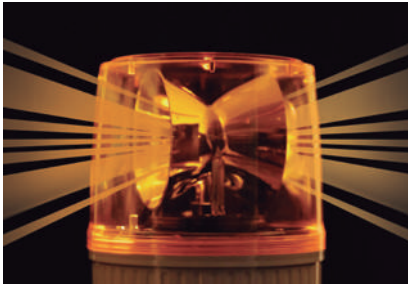
Wiring Instructions

- External power line standard : UL1015 AWG18(0.75sq)×2C 400mm
- DC type : Black output line is negative(-)

Customization

- 2 buzzer sound types : Both prolonged(beep, beep) and staccat o(beep, beep, beep)buzzer output available
- The product mount hole size 120mm(PCD 120mm)





S180 type has strong flashing light characteristics with dual reflector.



Ordering Specification

S180U	BZ	220	R
[Model number]	[Buzzer option]	[Voltage]	[Color]
<ul style="list-style-type: none"> S180U 	<ul style="list-style-type: none"> None No buzzer BZ Built-in buzzer 	<ul style="list-style-type: none"> 12-DC12V 24-DC24V 110-AC110V 220-AC220V 	<ul style="list-style-type: none"> R-Red A-Amber G-Green B-Blue

