



FICHA TÉCNICA

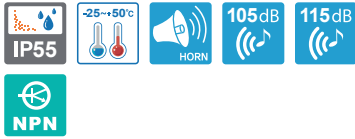


SEHN50

Marca: **QLIGHT**

Qlight innovación en alarmas y señales para mejorar la eficiencia y la seguridad laboral.

Qlight



Steel Housing

SRN/SEN15/SEN25/SEN50 Electric Horns for Vessels and Heavy Industrial Applications



Common Specifications(SN/ SEHN25/ SEHN50)

- Steel housing provides excellent vibration and shock resistance under seismic conditions
- A variety of sound selections between warning sounds, alarm sounds, melodies and voice messages to fit your sophisticated application needs
- Can adjust sound volume with the switch built inside the unit
- Materials : Housing-Steel, Horn housing -Steel
- Housing standard color : Red
- Ambient operating temperature : -25°C to +50°C
- Protection rating : IP55, Suitable for outdoor installation
- Certificates : KIMM Compliant

SN Max 105dB, Self Stand Type

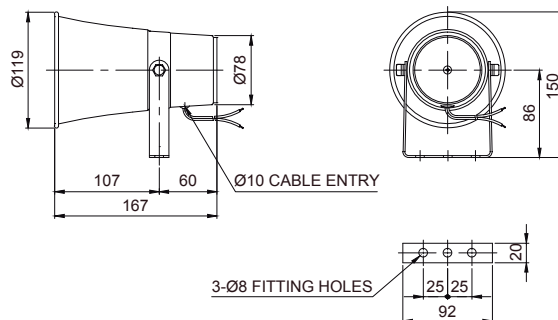
Model Number	Sound pattern	Volume	Voltage / Current	Certificates	Weight
SEN25	WS 5 Warning sound	105dB	DC12V / 0.266A DC24V / 0.211A AC110V / 0.062A AC220V / 0.031A		DC-0.91kg AC-1.06kg
	WM 5 Melodies	105dB			
	WA 5 Alarms	103dB			
	WV 5 Customizable sounds	95dB			



Technical Diagram

(Units : mm)

SN



Warning/
Signal/
Stackable



Signal &
Electric Horn/
Speakers



Vessels and
Heavy-Duty
Equipment



Explosion
Proof



Warning
Light Bar



Aviation
Obstruction
Lights



Signal Tower
Lights



USB/ETN
Signal Tower
Lights



Electric Horn/
Speakers



Industrial
LED Lights

115dB



SEHN25

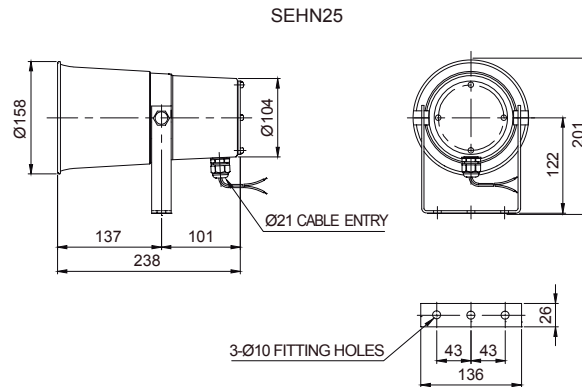
SEHN25 Max 115dB, Self Stand Type

Model Number	Sound pattern	Volume	Voltage / Current	Certificates	Weight
SEHN25	WS 5 Warning sound	115dB	DC12V / 2.211A DC24V / 1.022A AC110V / 0.226A AC220V / 0.113A		DC-2.26kg AC-2.48kg
	WM 5 Melodies	115dB			
	WA 5 Alarms	113dB			
	WV 5 Customizable sounds	108dB			



Technical Diagram

(Units : mm)



Steel Housing

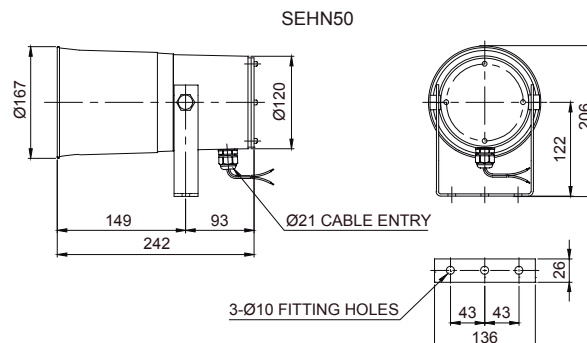
SEHN50 Max 120dB, Self Stand Type

Model Number	Sound pattern	Volume	Voltage / Current	Certificates	Weight
SEHN25	WS 5 Warning sound	120dB	DC12V / 2.440A DC24V / 1.186A AC110V / 0.244A AC220V / 0.122A		DC-2.26kg AC-2.48kg
	WM 5 Melodies	120dB			
	WA 5 Alarms	118dB			
	WV 5 Customizable sounds	115dB			



Technical Diagram

(Units : mm)



120dB



SEHN50



Warning/
Signal/
Stackable



Signal &
Electric Horn/
Speakers



Vessels and
Heavy-Duty
Equipment



Explosion
Proof



Warning
Light Bar



Aviation
Obstruction
Lights



Signal Tower
Lights



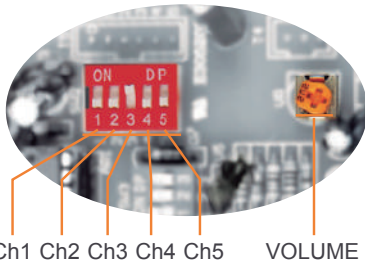
USB/ETN
Signal Tower
Lights



Electric Horn/
Speakers



Industrial
LED Lights

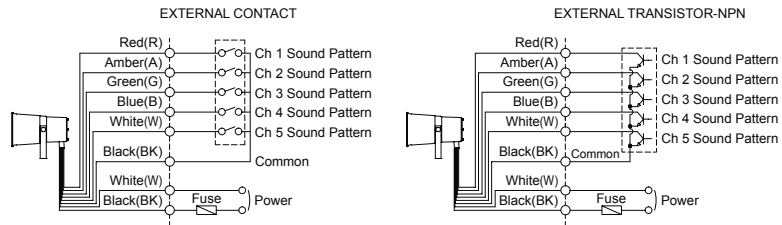


Ch1 Ch2 Ch3 Ch4 Ch5 VOLUME

Sound Selection and Wiring Instructions

- Standard : Internal switch
- When each channel dip switch is on, a related sound will be played
- Customization : External contact(LC)

SN/ SEHN25/ SEHN50-DC/AC



- External power line standard : VCTF(0.75sq)×2C 400mm
- LC type signal line standard : UL1007 AWG22(0.3sq) 400mm
- Product can be wired regardless of polarity

Customization

- You can select the audible sound patten using external contacts or transistor with a customized external sound line. (Model number : -LC)

Ordering Specification

SEHN25	WA	220	LC
[Model number]	[Sound]	[Voltage]	[Sound selection]
<ul style="list-style-type: none"> • SN • SEHN25 • SEHN50 	<ul style="list-style-type: none"> • WS-Warning • WM-Melody • WA-Alarm • WV-Customizable sound 	<ul style="list-style-type: none"> • 12-DC12V • 24-DC24V • 110-AC110V • 220-AC220V 	<ul style="list-style-type: none"> • Standard • -Built-in switch • LC • -External contact

