



# FICHA TÉCNICA

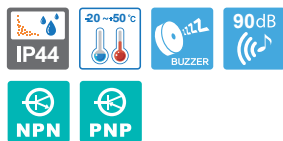


## SJLP

Marca: **QLIGHT**

Qlight innovación en alarmas y señales para mejorar la eficiencia y la seguridad laboral.

**Qlight**



## SJseries Cubic Stackable Warning/ Signal Lights



### Common Specifications(SJ/ SJL)

- Beautiful appearance from stacking 95×95mm cubed tower lights
- Multi signal transmission in space of 1 signal light
- Built-in buzzer available (Volume Max 90dB at 1m)
- Standard color
  - 1Layer - ● Red
  - 2Layers - ● Red ● Green
  - 3Layers - ● Red ● Yellow ● Green
- Materials : Lens-AS, Housing-ABS, Reflector-Heat resistant ABS
- Protection rating : IP44
- Certificates : CE Compliant



SJ



### SJ/ SJP Bulb Revolving Tower Warning/ Signal Lights

- Adopts a special power transmission system which minimizes noise and wear
- Available in customized color arrangements
- Revolving speed : 120-140RPM
- Ambient operation temperature : -20°C to +50°C

Model Number	Layer	Voltage	Current	Bulb			Certificates	Weight	Color
				Spec	Standard	Parts No.			
SJ SJP	1	DC12V	0.488A	12V5W	T16x35 15S	5	CE	0.65kg	● R-Red
		DC24V	0.310A	24V5W	T16x35 15S	6		0.65kg	
		AC110V	0.102A	12V5W	T16x35 15S	5	-	0.83kg	
		AC220V	0.051A	12V5W	T16x35 15S	5		0.83kg	
	2	DC12V	0.968A	12V5W	T16x35 15S	5	CE	0.89kg	● R-Red ● G-Green
		DC24V	0.620A	24V5W	T16x35 15S	6		0.89kg	
		AC110V	0.146A	12V5W	T16x35 15S	5	-	0.15kg	
		AC220V	0.073A	12V5W	T16x35 15S	5		0.15kg	
	3	DC12V	1.453A	12V5W	T16x35 15S	5	CE	1.18kg	● R-Red ● A-Amber ● G-Green
		DC24V	0.930A	24V5W	T16x35 15S	6		1.18kg	
		AC110V	0.191A	12V5W	T16x35 15S	5	-	1.28kg	
		AC220V	0.095A	12V5W	T16x35 15S	5		1.28kg	



Signal & Electric Horn/ Speakers



Vessels and Heavy-Duty Equipment



Explosion Proof



Warning Light Bar



Aviation Obstruction Lights



Signal Tower Lights



USB/ETN Signal Tower Lights



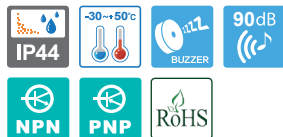
Electric Horn/ Speakers



Industrial LED Lights



SJP



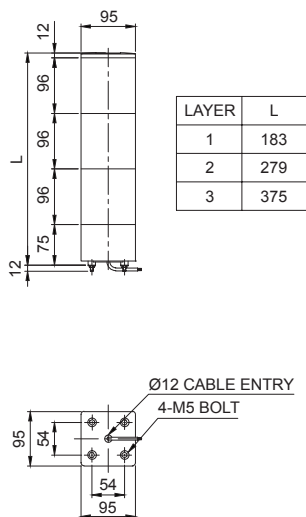
SJL



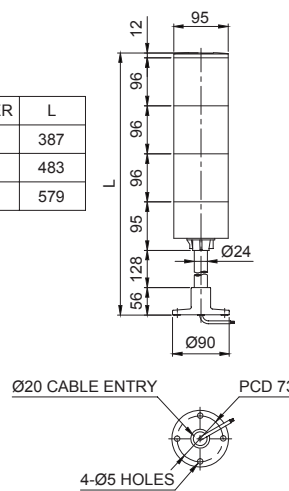
### Technical Diagram

(Units : mm)

SJ/ SJL



SJP/ SJLP



### SJL/ SJLP LED Steady/ Flashing Tower Signal Lights

- Strong LED signal light emitted through the 96mm height diffusion lens
- Fixed lens colors
- Flashing rate : 60-80 flashes/min
- Ambient operation temperature : -30°C to +50°C
- Compliant with RoHS directive

Model Number	Layer	Voltage	Current	Certificates	Weight	Color
SJL SJLP	1	DC12V	0.182A	-	0.63kg	● R-Red
		DC24V	0.163A		0.63kg	
		AC110V	0.062A		0.80kg	
		AC220V	0.031A		0.80kg	
	2	DC12V	0.364A		0.76kg	● R-Red ● G-Green
		DC24V	0.326A		0.76kg	
		AC110V	0.077A		1.03kg	
		AC220V	0.038A		1.03kg	
	3	DC12V	0.546A		1.01kg	● R-Red ● A-Amber ● G-Green
		DC24V	0.489A		1.01kg	
		AC110V	0.093A		1.24kg	
		AC220V	0.046A		1.24kg	

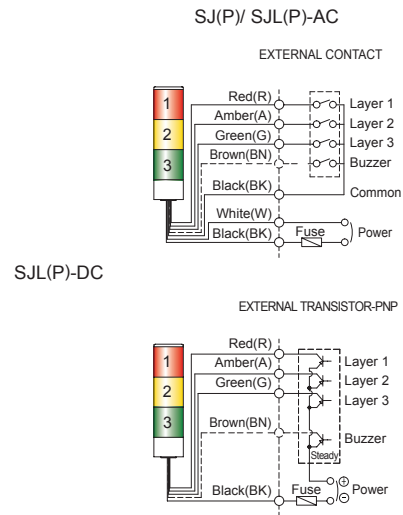
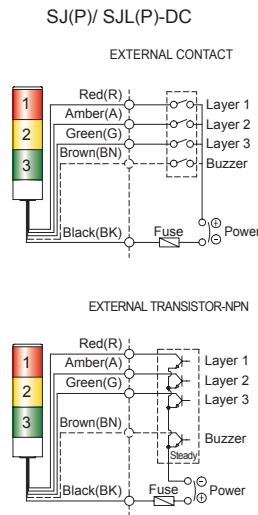




**SJLP**



### Wiring Instructions



- External power line standard : UL1015 AWG18(0.75sq)×2C 400mm
- Signal line : UL1007 AWG22(0.3sq) 400mm
- DC type : Black output line is negative(-)



### Customization

- 4 layers available upon request
- Lens colors arrangement except for standard
- 2 buzzer sound types : Both prolonged(beeep, beeep) and staccato(beeep, beeep, beeep) buzzer output available
- Xenon lamp strobe type(model number : SJS/SJSP)



### Ordering Specification

<b>SJL</b>	-	<b>BZ</b>	-	<b>3</b>	-	<b>220</b>	-	<b>RAG</b>
[Model number]		[Buzzer option]		[Layer]		[Voltage]		[Color]
<ul style="list-style-type: none"> <li>• SJ</li> <li>• SJP</li> <li>• SJL</li> <li>• SJLP</li> </ul>				<ul style="list-style-type: none"> <li>• 1-1Layer</li> <li>• 2-2Layers</li> <li>• 3-3Layers</li> </ul>		<ul style="list-style-type: none"> <li>• 12-DC12V</li> <li>• 24-DC24V</li> <li>• 110-AC110V</li> <li>• 220-AC220V</li> </ul>		<ul style="list-style-type: none"> <li>• R-Red</li> <li>• A-Amber</li> <li>• G-Green</li> </ul>

### ! Please note for installation

- SJL/ SJLP type can be wired with external contacts and transistor.
- Wiring to transistor, use the NPN transistor. Please wire properly based on technical diagram.
- SJ/ SJP used bulb can not be connected by using transistors. Please use the external contacts.

